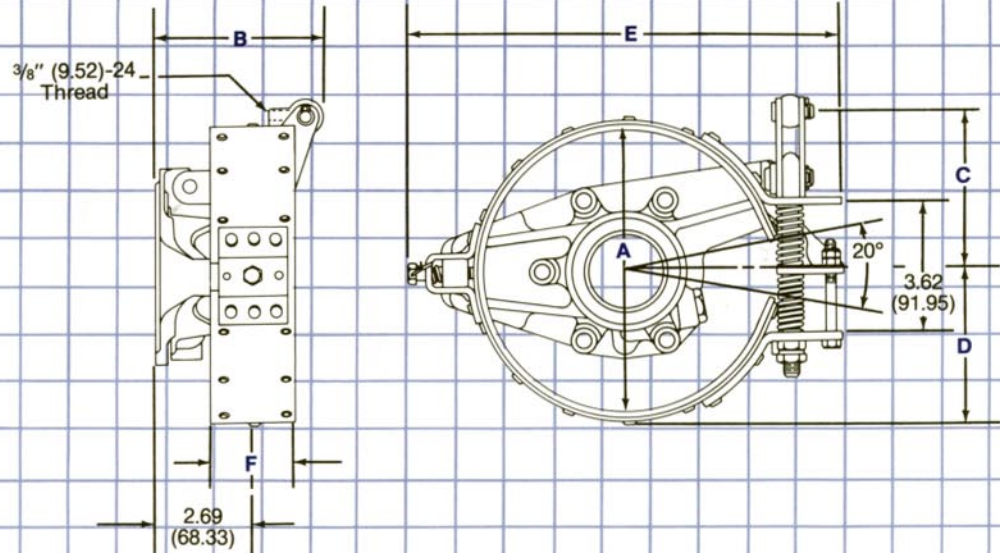
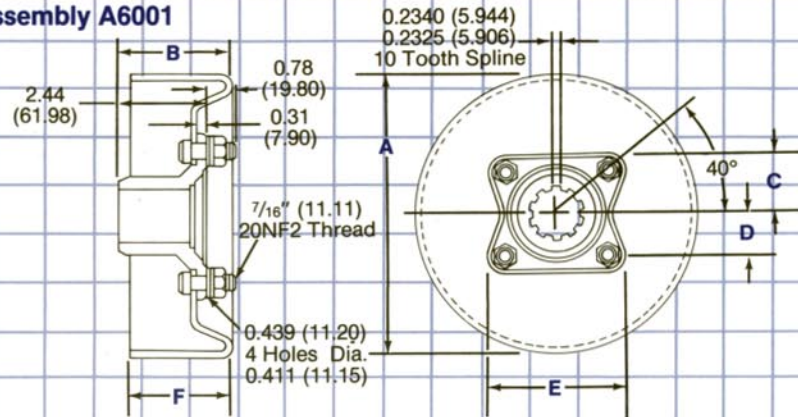


Parking Brake Option

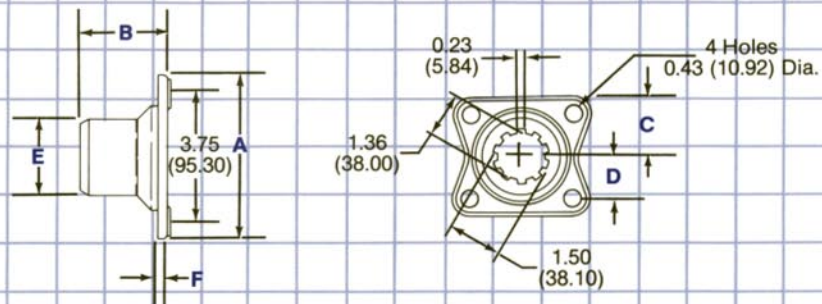
Parking Brake Kit 13-33-420-001



Drum and Flange Assembly A6001



Flange 6001



Parking Brake Specifications nominal (subject to change without notice)

Part Number	Dim. A	Dim. B	Dim. C	Dim. D	Dim. E	Dim. F
13-33-420-001	8.02 (203.70)	4.78 (121.41)	5.00 (127.00)	4.17 (105.92)	12.08 (306.83)	2.50 (63.50)
A6001	8.00 (203.20)	3.22 (81.79)	1.05 (26.67)	1.57 (39.88)	3.93 (98.82)	2.88 (73.20)
6001	3.93 (98.82)	2.44 (61.98)	1.05 (26.67)	1.57 (39.88)	2.13 (54.10)	0.31 (7.90)