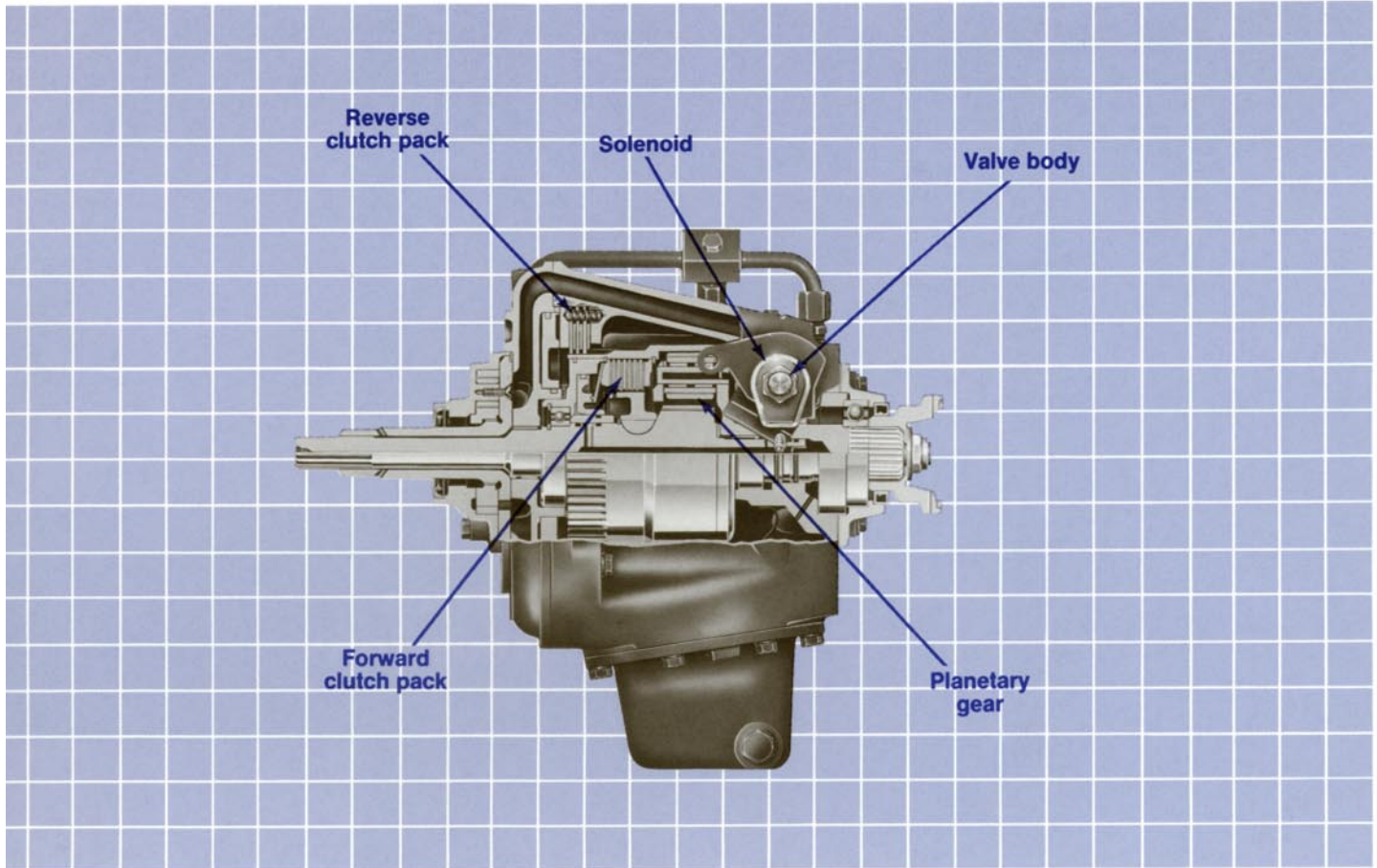


# T72 Transmission

Velvet Drive Transmissions leads the way in innovative transmission design with the in-line T72, T72/T18 and T72/T19 Velvet Shuttle® transmissions. The T72 power shuttle reversing hydraulic transmission and the T72/T18 and T72/T19 mechanical transmission packages allow on-the-go shifting between forward and

reverse without braking. The four-speed transmission enables a vehicle to move quickly and safely on the job site.

Developed for manufacturers of off-highway and rough-terrain industrial mobile vehicles, these in-line transmission packages offer



## T72 Series General Information

Model	T72	T72/T18	T72/T19
Speeds (Forward & Reverse)	One	Four	Four
Torque @ Stall-lb. ft. (Nm) *	400 (543)	400 (543)	400 (543)
Horsepower- <small>SAE</small> maximum (kW) @2200 RPM	60 (44.7)	60 (44.7)	60 (44.7)
Engine RPM-maximum	3000	3000	3000

All specifications and descriptive data are nominal and subject to change without notice. Specific applications should be referred to Velvet Drive Transmissions for assistance.