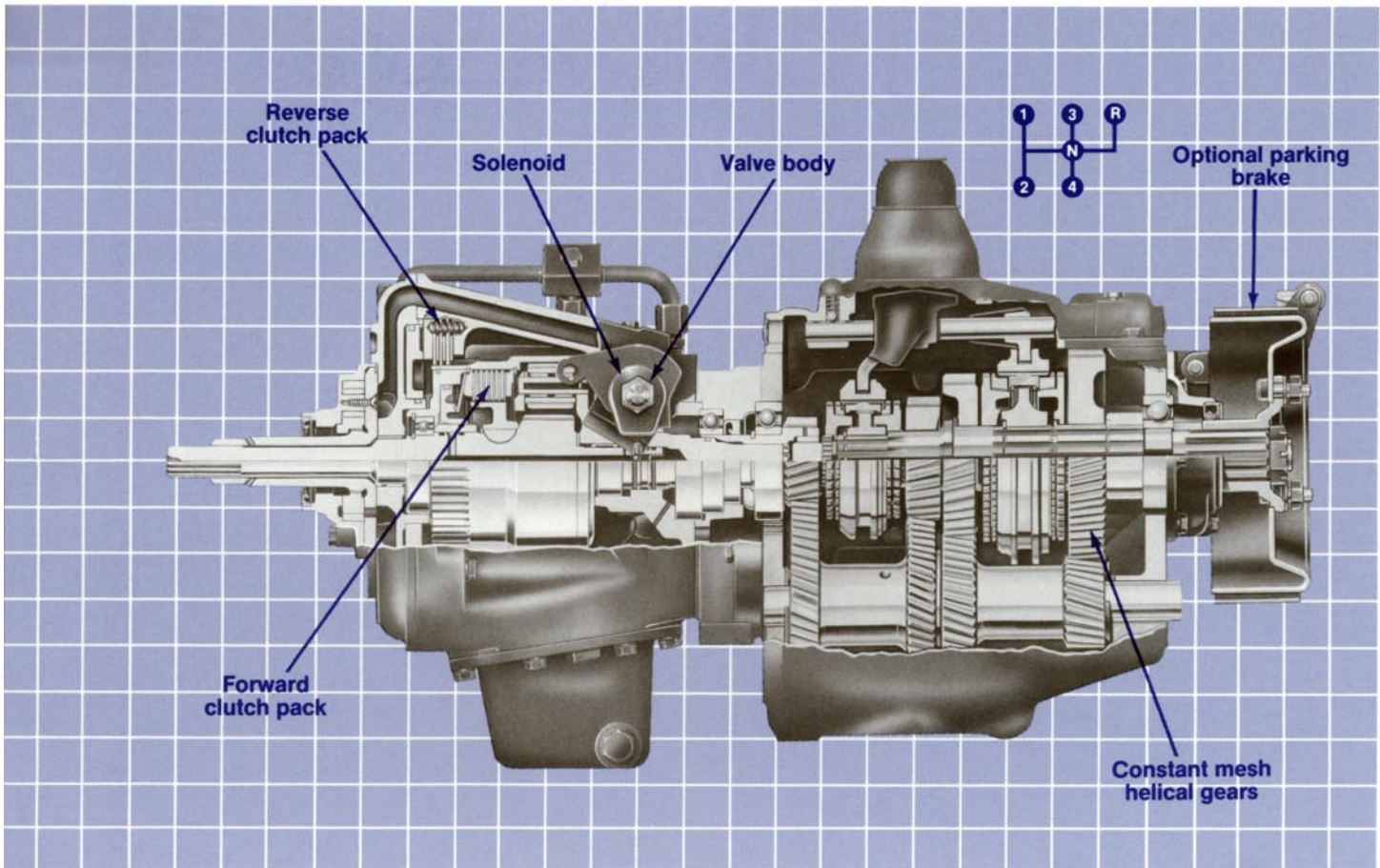


T72/T19 Transmission

increased vehicle design options. The T72, T72/T18 and T72/T19 transmissions are also compact, easy to maintain, and service. Optional valve bodies, brakes and converter housings provide design flexibility, while retaining "factory" controls.

The T72/T19 transmission package features smooth, four-speed shifting, synchronized in all forward gears. The T72/T18 transmission package is synchronized in second, third and fourth gears. Both T72 power shuttle mechanical transmission packages offer an optional parking brake.



T72 Series Features and Benefits

● Multiple-disc clutch packs for forward and reverse operation.	Offers smooth operation and long life.
● Constant mesh helical gearing and anti-friction bearings.	Provides quiet, durable operation.
● Neutral start switch.	Transmission-mounted rather than remote installation.
● Internal sump screen.	Improves service life.
● Bolt-on oil sump.	Makes service access easier.
● Torque converter drive.	Automatically compensates for various work load and grade conditions.
● Pressurized lube system.	Increases component service life.
● Mechanical forward/neutral/reverse with electric solenoid declutch.	Improved productivity.
● Choice of mechanical transmissions.	Maximizes vehicle performance.