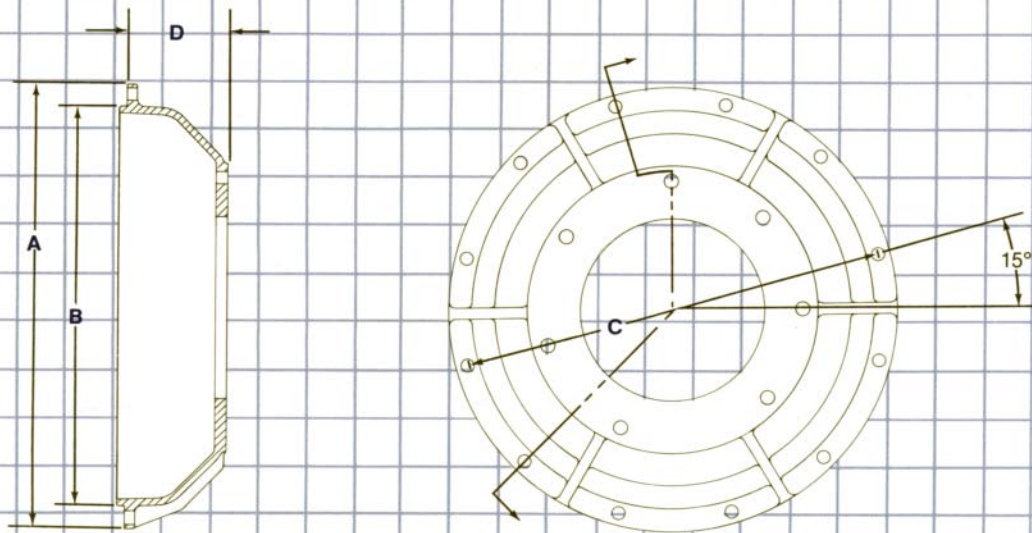


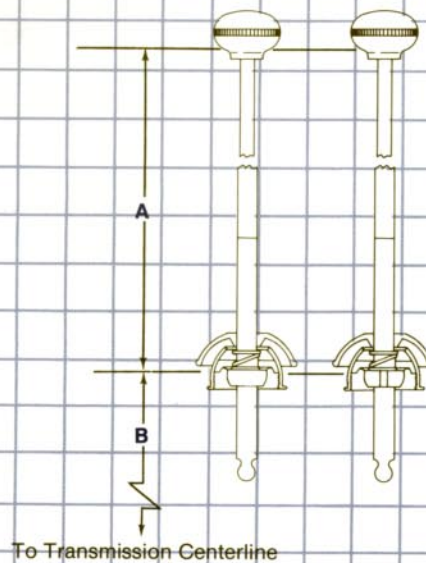
Converter Housing Options



Converter Housing Specifications nominal (subject to change without notice)

Part Number	Size	Dim. A	Dim. B	Dim. C	Dim. D
10-22-212-004	SAE #4	15.88 (403.35)	14.25 (361.95)	15.00 (381.00)	3.64 (92.50)
10-22-212-005	SAE #3	17.75 (450.85)	16.12 (409.45)	16.88 (428.75)	3.64 (92.50)

Cane Lever Options



Cane Lever Specifications nominal (subject to change without notice)

Part Number	Dim. A	Dim. B
13-01-420-001	31.00 (787.40)	7.88 (200.20)